

ABN: 85164277052
HAPP AUSTRALIA PTY LTD



WWW.HAPP.COM.AU

4 Tonne

Specification



HAPP 80

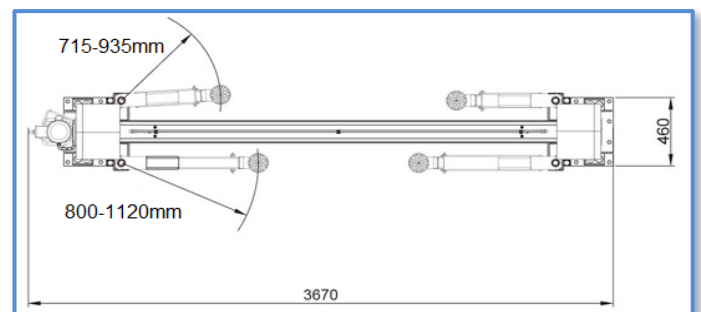
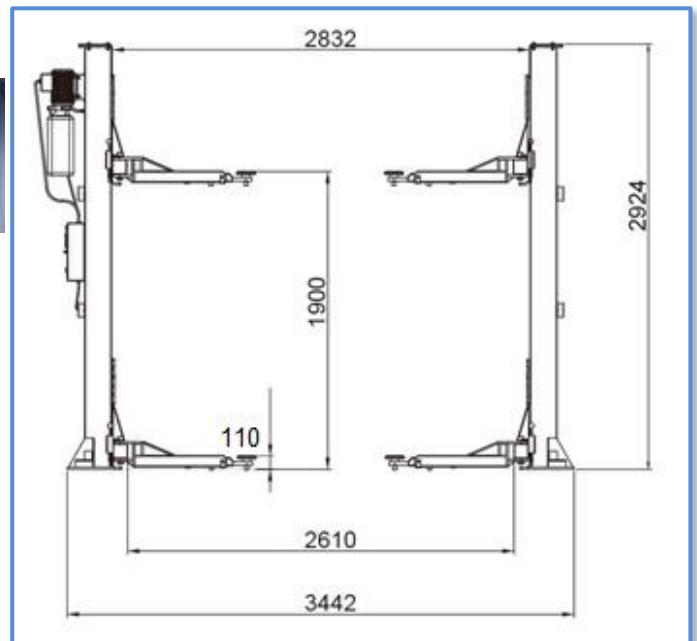
2 Post Electric - Hydraulic lift

Floor Plate – Full electronic control



Features

- Massive 1900mm lift height
- Full low voltage panel operation - 24V CE control box
- Over height limit switch
- Asymmetric HAPP arms – (short and long), symmetric HAPP arms available as option
- Dual Hydraulic cylinder drive, stable lifting and lowering
- All steel balance cables for equalization, both carriages move synchronously
- 20mm Tru-bolt design anchor bolts
- Dynamically tested with 125% of rated capacity and static test with 150% of rated capacity
- CE certified (Europe and USA)
- 5mm thick columns
- 16mm thick base plate
- HAPP Ultra strong arms
- HAPP Screw up drop in pad design
- HAPP Ultra strong carriage
- 2" + 6" spacers standard
- 12 month manufacturer parts warranty
- Access to HAPP customer group buy plan
- Many options available:
 - ❖ Extra stability; big base plates, stabilizer bars
 - ❖ Low profile car ramps for very low cars
 - ❖ Oil drains for cleaner oil change operation
 - ❖ Alternate anchor bolts, extra spacers, spare motors ...



Capacity	Lifting Height	Rise Time	Drop Time	Power of Motor	Power Supply	Width of rack	Height of rack	Width at base plate	Net Weight
4.0T	1900mm	<50s	>20s	2.2 Kw	240v/ 415v	3442mm	2924mm	3670mm	630Kg

Specifications are subject to change without notice. Contact HAPP for additional details.