

ABN: 85164277052  
HAPP AUSTRALIA PTY LTD



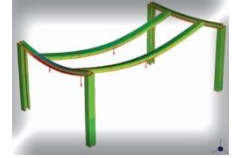
## Specification

[WWW.HAPP.COM.AU](http://WWW.HAPP.COM.AU)

# 5 Tonne

# HAPP 27 W

## Wheel alignment floor



Australian Standards Certified

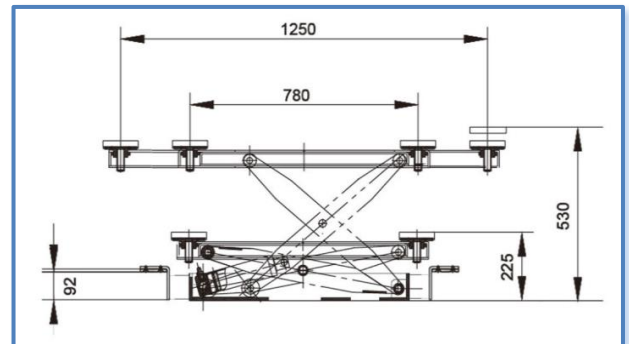
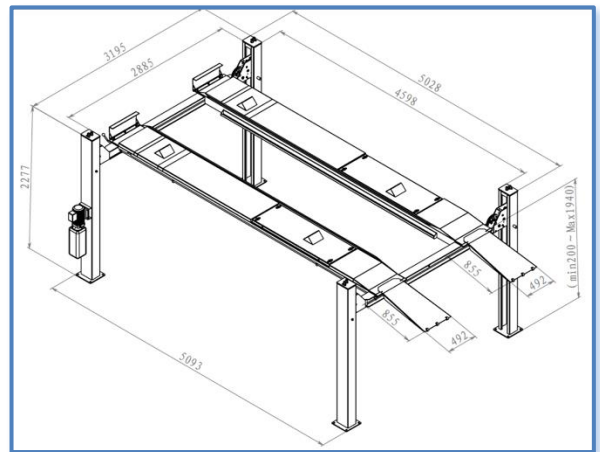
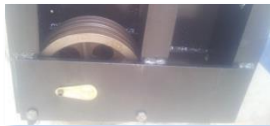
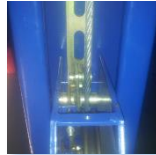


Professional  
Australian engineer  
approved

Workshop duties

## Features

- Ultra strong frame and columns
- Full Australian engineering structural analysis & design
- Australian standards approved and WH&S registered
- Full WH&S maintenance program available with WH&S kit
- Release all column safeties, raise and lower from single point
- Ratchet safety at with 150mm increments
- Max runway height 1940mm
- Lockout pins for extended vehicle storage
- Removable 855mm on ramps
- HAPP ultra strong 12.5mm thick all steel lift cables tested in NATA registered lab.
- Tru-bolt anchor bolts for solid mounting
- Optional wheeled jacking Beams available
- Wheel alignment option can be added after purchase.
- High steel grade rugged construction
  - a) 5mm column,
  - b) 127mm I beam cross beam,
  - c) 3x120mm C section beams under each runway
  - d) Checker plate runway surface
  - e) Approved cable / cylinder / safety system
- Connector to external limit switch on motor
- 12 month manufacturer parts warranty
- Access to HAPP customer group buy plan



Capacity	Lifting Height *	Rise Time	Drop Time	Power Supply	Width	Height	Length	Ramp length	Net Weight
5.0T	240-1980mm	<50s	>20s	240/415v-15A	2855mm 3400mm	2277 mm	5093mm 5250mm	855mm	1446Kg