

ABN: 85164277052
HAPP AUSTRALIA PTY LTD



5 Tonne

Specification

WWW.HAPP.COM.AU

HAPP 27



Australian Standards Certified

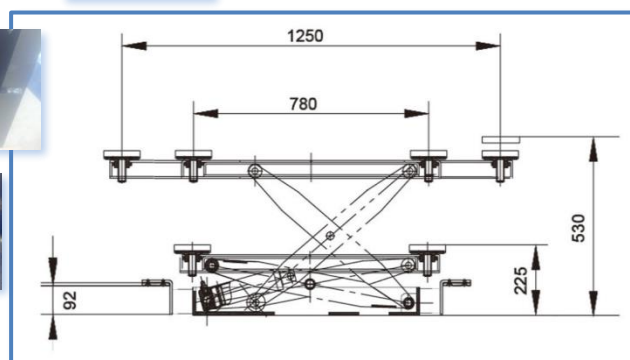
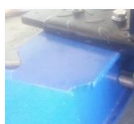
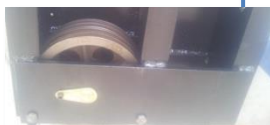
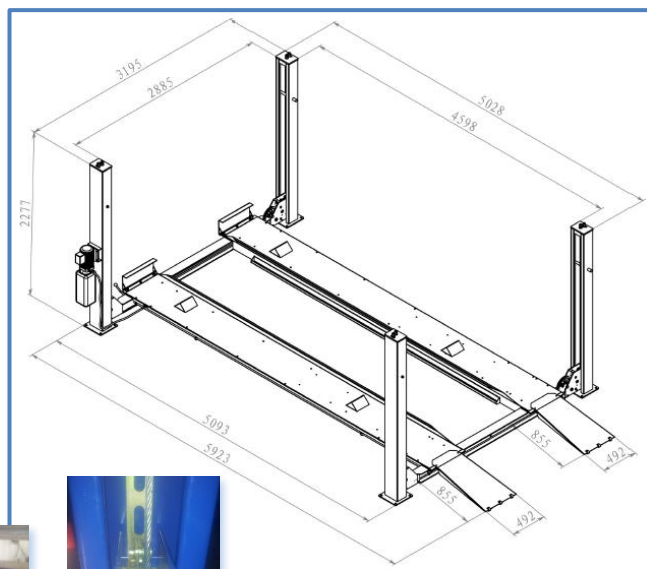


Workshop duties



Features

- Ultra strong frame and columns
- Full Australian engineering structural analysis & design
- Australian standards approved and WH&S registered
- Full WH&S maintenance program available with WH&S kit
- Release all column safeties, raise and lower from single point
- Ratchet safety at with 150mm increments
- Max runway height 1940mm
- Lockout pins for extended vehicle storage
- Removable 855mm on ramps
- HAPP ultra strong 12.5mm thick all steel lift cables tested in NATA registered lab.
- Tru-bolt anchor bolts for solid mounting
- Optional wheeled jacking Beams available
- Optional wheel alignment option (HAPP 27-W) can be added after purchase.
- High steel grade rugged construction
 - a) 5mm column,
 - b) 127mm I beam cross beam,
 - c) 3x120mm C section beams under each runway
 - d) Checker plate runway surface
 - e) Approved cable / cylinder / safety system
- Connector to external limit switch on motor
- 12 month manufacturer parts warranty
- Access to HAPP customer group buy plan



Capacity	Lifting Height *	Rise Time	Drop Time	Power Supply	Width	Height	Length	Ramp length	Net Weight
5.0T	200-1940mm	<50s	>20s	240/415v-15A	2855mm 3400mm	2277 mm	5093mm 5250mm	855mm	1296Kg