

*Early adopter program*

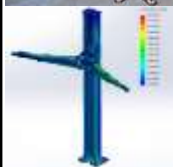
**4 Tonne**

[WWW.HAPP.COM.AU](http://WWW.HAPP.COM.AU)

**Specification**

# HAPP 35P

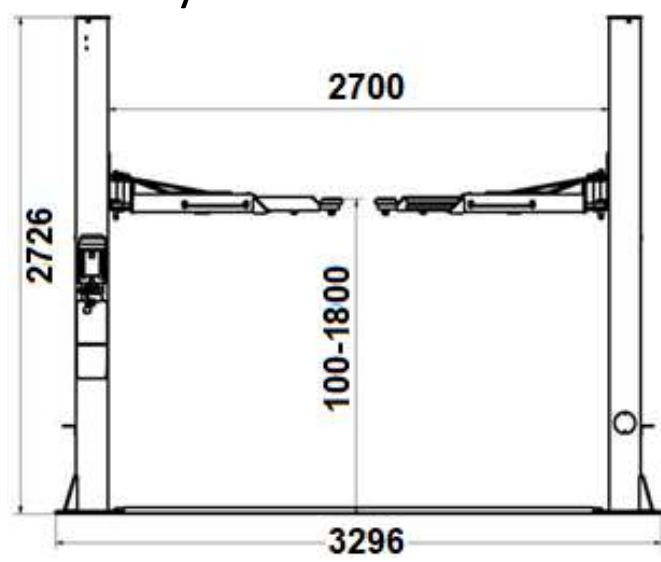
Low column height, compact



**2 Post Electric - Hydraulic lift**  
**Floor Plate - Two side safety release**

**Features**

- Dual Hydraulic cylinder drive, stable lifting and lowering
- **HAPP Australian Standard designs**
- All steel balance cables for equalization, both carriages move synchronously
- Dynamically tested with 125% of rated capacity and static test with 150% of rated capacity
- Upgrade from CE certified (Europe and USA) with HAPP Aus Std designs
- 5mm thick columns
- 16mm thick base plate
- 20mm Tru-bolt design anchor bolts
- HAPP **Gen2 extra range** arms
- HAPP Screw up drop in pad design
- HAPP Ultra strong carriage
- 2" + 6" spacers standard
- Electronic max height limit switch
- 12-month manufacturer parts warranty
- Access to HAPP customer group buy plan
- Many options available:
  - ❖ Extra stability; big base plates, stabilizer bars
  - ❖ Low profile car ramps for very low cars
  - ❖ Oil drains for cleaner oil change operation
  - ❖ Alternate anchor bolts, extra spacers, spare motors



**HAPP Generation 2 arms**



Largest arm extension range enables all kinds of vehicles to be balanced evenly on lift. 4T capacity.

Arm	Min length	Max length
Front 3pc	580mm	1130mm
Rear 2pc	890mm	1430mm

Capacity	Lifting Height*	Rise Time	Drop Time	Power Supply	Height of rack	Width at base plate	Pillar Width	Net Weight
4.0T	1800mm	<50s	>20s	240v-15A	2726mm	3296mm	2700mm	600Kg

Specifications are subject to change without notice. Contact HAPP for additional details.