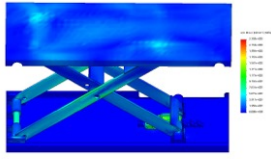


ABN: 85164277052
HAPP AUSTRALIA PTY LTD



WWW.HAPP.COM.AU

3 Tonne



Specification

HAPP 11-A



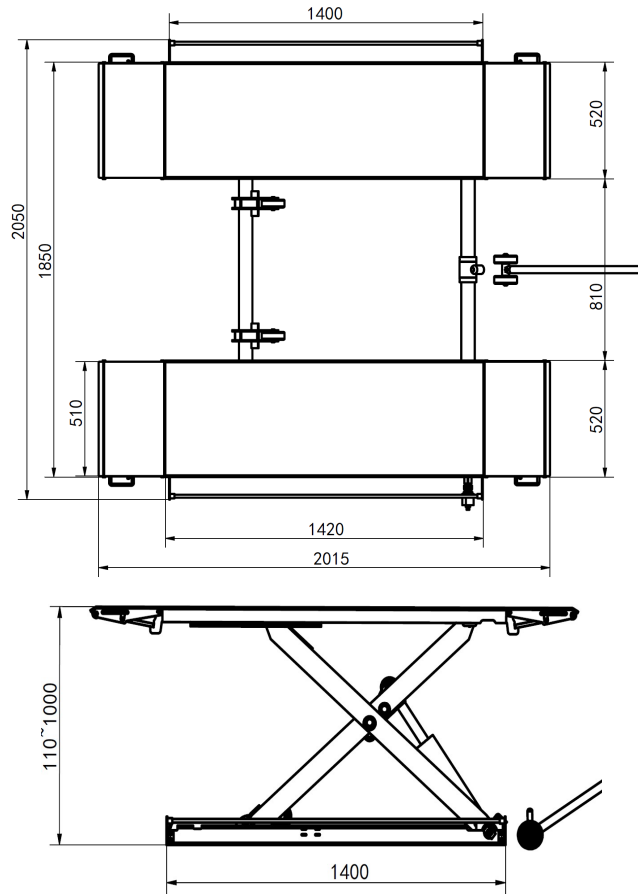
Moveable mid-rise scissor lift – air release

Optimised for continuous use – air supply required.

Features

- 12-month manufacturer parts warranty
- Access to HAPP customer group buy plan

- Dual Hydraulic cylinder drive, stable lifting and lowering
- **HAPP Australian Standard designs – designed verified against AS1418.9 and many other Australian Standards by Queensland engineer.**
- **Air solenoids ensure reliable repeatable action under rigorous continuous use.**
- Precision CNC controlled cutting and Robot welding provide highest quality product.
- Variable rate arms ensure even heavy vehicles can lift from ground.
- Control unit is of exceptional quality to other lift suppliers
- Moveable control unit and lift
- High grade scissor beams exceed Australian standards
- Toe protection guards, anti-slip tread plates
- Latches, pins and locking ladder use premium steel grades that exceed Australian standards
- Dynamically tested with 125% of rated capacity and static test with 150% of rated capacity
- Upgrade from CE certified (Europe and USA) with HAPP Aus Std designs
- Electronic max height limit switch



Colour is blue platform / base and grey scissor Lower use users use the HAPP 11 with electric solenoids

Capacity	Lifting Height	Min Height	Power Supply	Length	Table length	Width	Middle Gap	Runway Width	Net Weight
3.0T	1000mm	110mm	240v-15A	2015mm	1420mm	2015mm	810mm	520mm	500Kg

Specifications are subject to change without notice. Contact HAPP for additional details